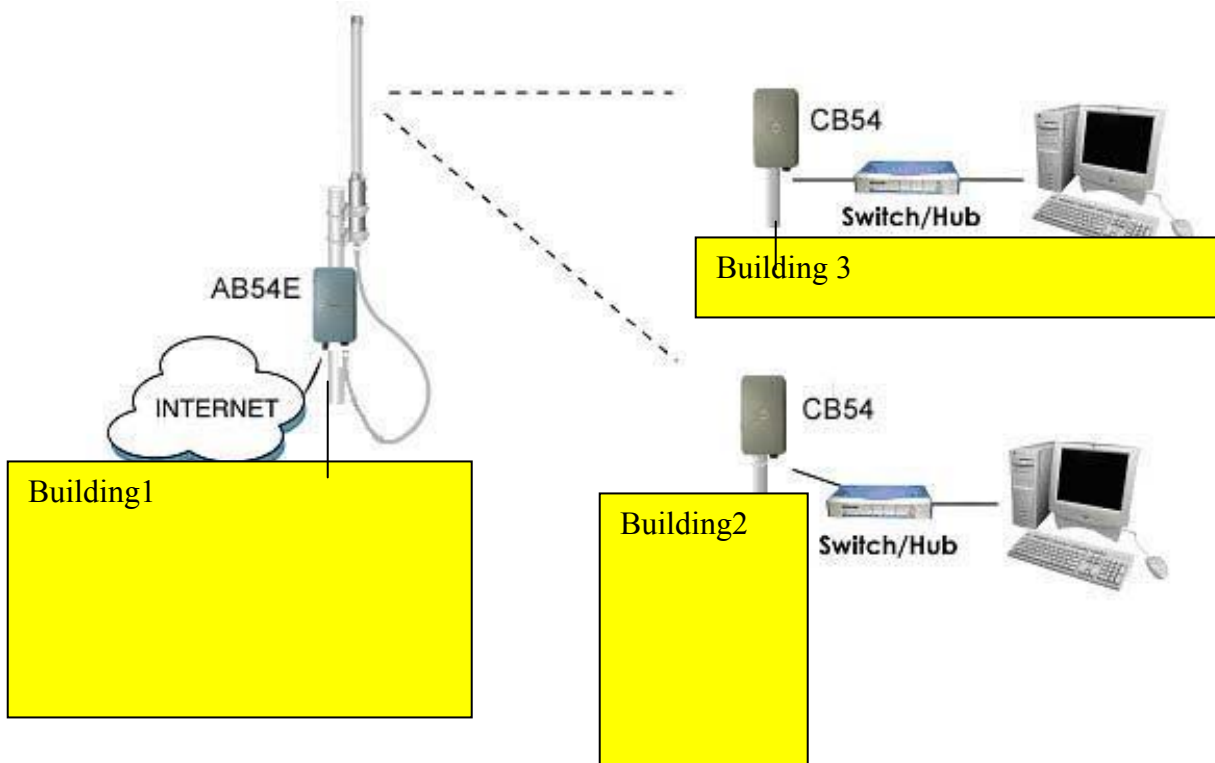


**COMPTEK Wireless Solution Diagram : Select what suits you. Our Expert can Guide you for Best Solution for your Requirement. :**

**Network Topology – Access Point Mode**

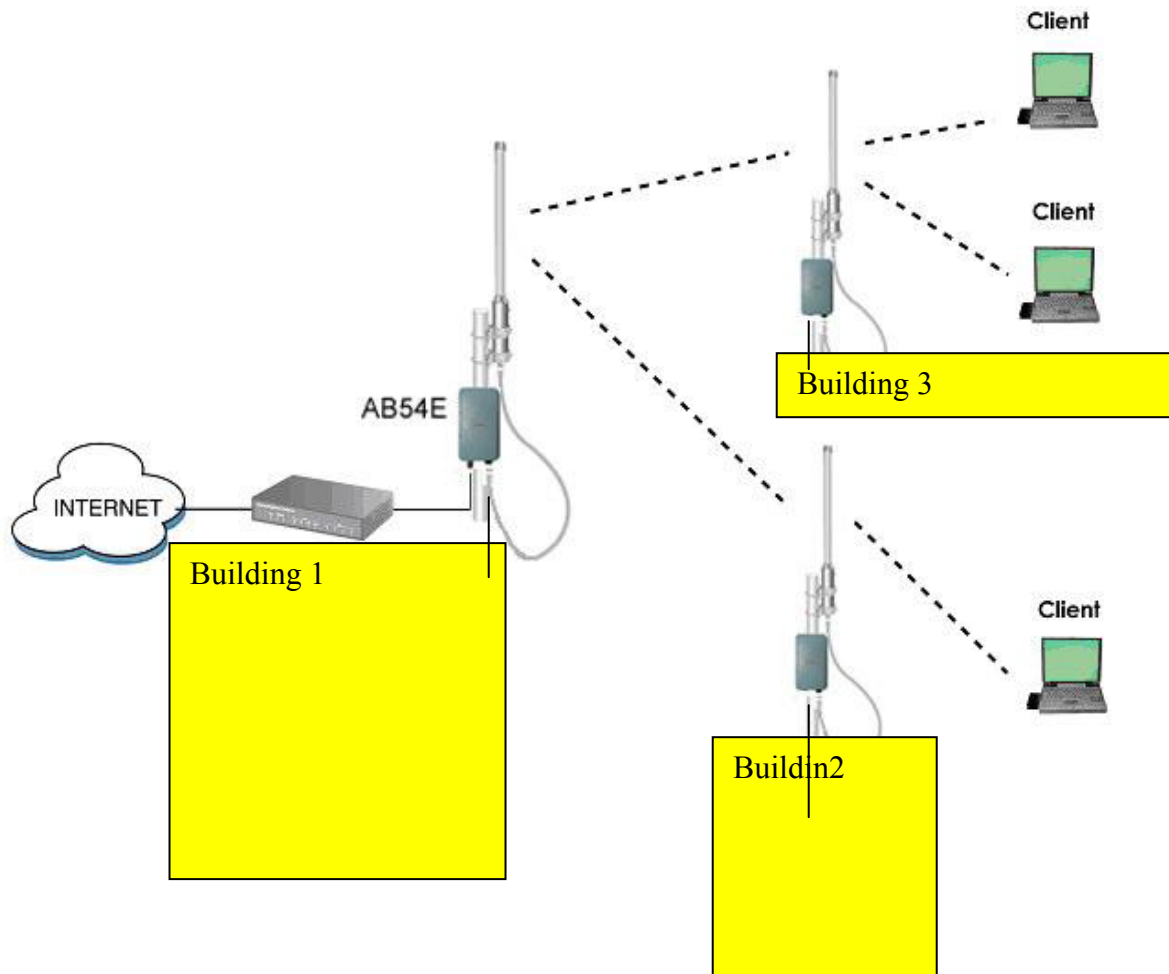


**If Buildings are nearby (1-3 Km LOS) and all building users want to access internet through gateway of Internet at Building 1 then above will be topology. And if limited no. of Computers are their in Building 2 and 3.**

**This topology should be used when Leased line of internet taken at Building 1 on Proxy server then all other will work as client. CB54 will be connected to the switch of the other building. And all computers inside is on CAT5 through switch.**

**Suitable for Small Enterprises**

## Network Topology – Repeater Mode

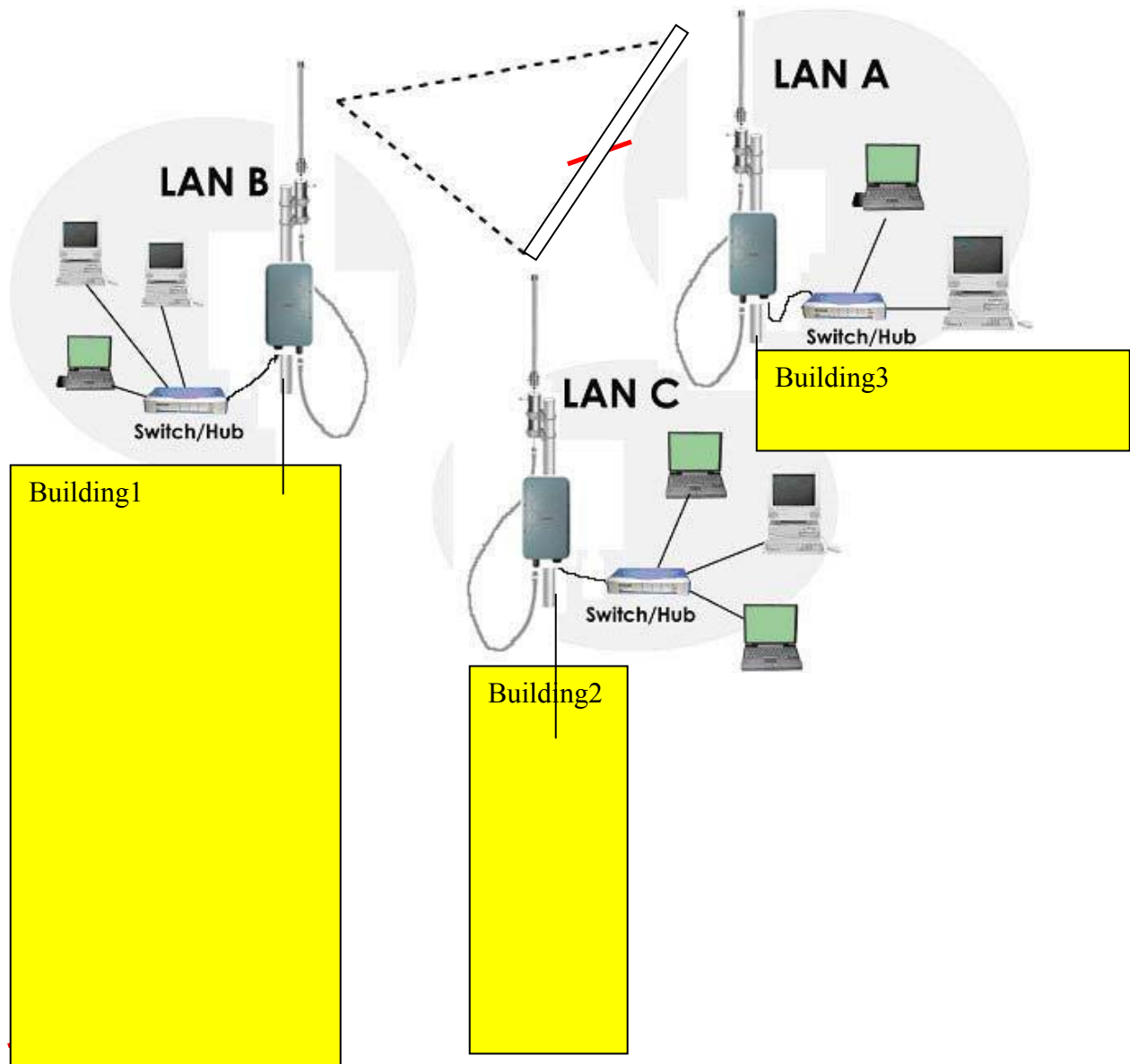


If Buildings are very nearby 300-500 meters and all building users want to access internet through gateway of Internet at Building 1 then above will be topology. And if limited no. of Computers are their in Building2 and 3.

This topology should be used when Leased line of internet taken at Building 1 on Proxy server then all other will work as client. Their will be Wi-Fi Zone everywhere. Used for small campus Wi-Fi Hotspot.

Suitable for Hostel Campus kind of environment

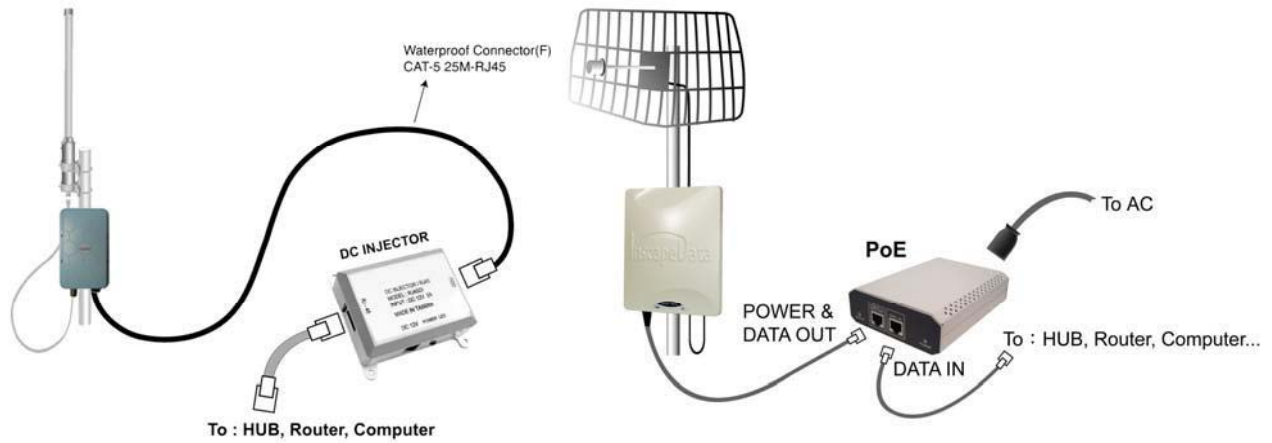
## Network Topology – Wireless Bridge Point to Point or to Multi-Point Mode



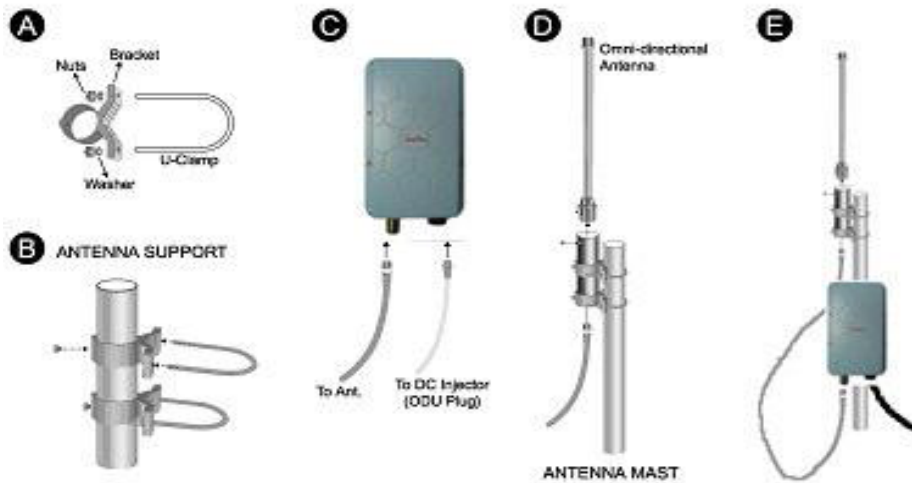
This is the Wireless Bridging of three buildings. All building have their own network and This bridging connects all buildings through Wireless Pipes. This wireless connection can be with 54 Mbps and/or 108 Mbps gives appx 20 MB and 60 MB Wireless Pipe. Suitable for corporate networking.

Suitable for Large enterprises

### Installation Diagram (AB54E and AB54E Pro Shown Below)



### Omni-Directional Antenna Installation Diagram



Installation Diagram – A Hint